

DOOSAN

12/254 Platform | Product Range



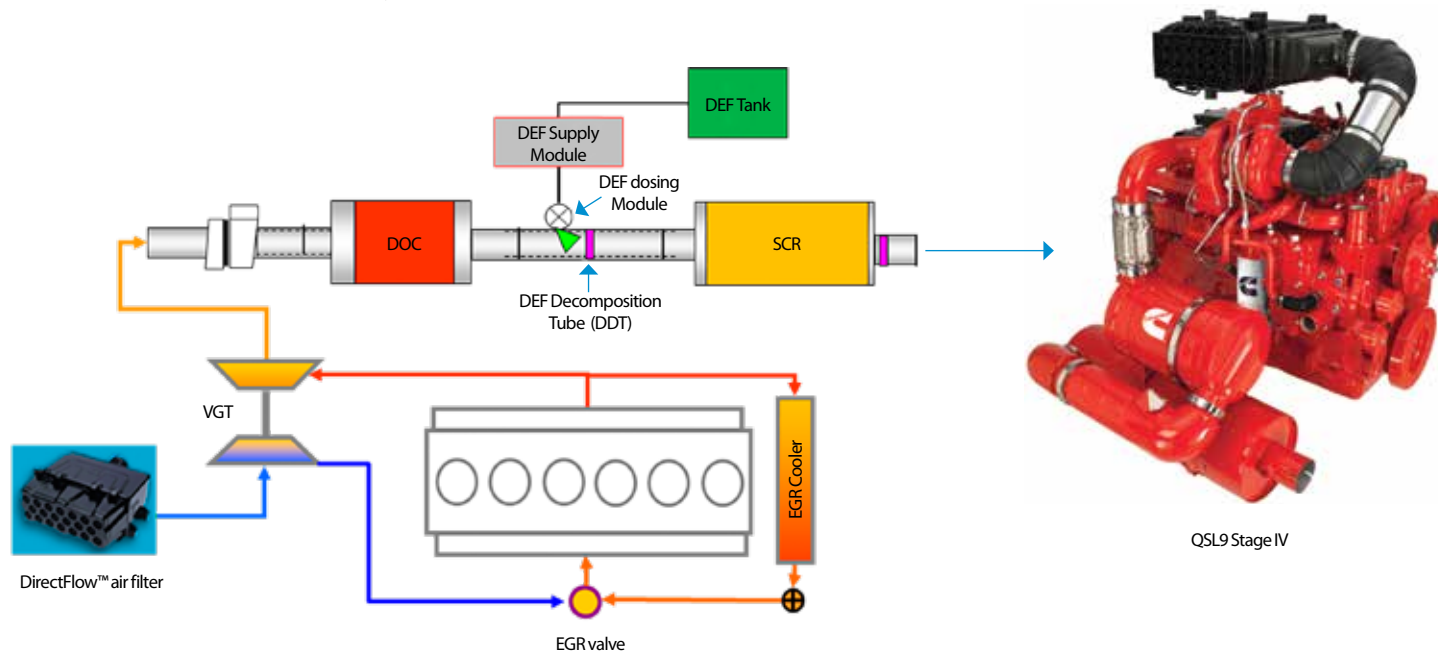
STAGE IV 
TIER4FINAL

Aftertreatment system

Cummins Industrial EU Stage IV diesel engines are integrated with aftertreatment assemblies developed for EU Stage IV certification. The aftertreatment system is a filter-free, flow-through system requiring no service-intervention.

The Aftertreatment Architecture for QSL9 T4F is based on three key subsystems:

1. Diesel Oxidation Catalyst (DOC)
2. Selective Catalytic Reduction (SCR)
3. Diesel Exhaust Fluid (DEF) Dosing System



Compressor	9/274	9/304	12/254	17/244	21/224
Compressor					
Free air delivery - m ³ /min (cfm)	27 (950)	29.9 (1060)	25 (883)	23.3 (825)	21.5 (750)
Rated operating pressure - bar (psig)	8.6 (125)	8.6 (125)	12 (175)	17.2 (250)	21 (300)
Engine					
Make / model	Cummins QSL9	Cummins QSL9	Cummins QSL9	Cummins QSL9	Cummins QSL9
Emissions Tier level	Stage IV	Stage IV	Stage IV	Stage IV	Stage IV
Number of cylinders	6	6	6	6	6
Full load speed - rpm	1800	1800	1800	1800	1800
Power - kW (hp)	226 (303)	247 (331)	247 (331)	247 (331)	247 (331)
Cooling	Water	Water	Water	Water	Water
Fuel tank capacity - litres	485	485	485	485	485
DEF/AdBlue tank capacity - litres	31	31	31	31	31
Sound Level Data					
Fully compliant to outdoor noise directive 2000/14/EC (2006) - L _{WA}	100	100	100	100	100
Dimensions (with running gear)					
Length drawbar up / down - mm	4408 / 5841	4408 / 5841	4408 / 5841	4408 / 5841	4408 / 5841
Overall width - mm	2120	2120	2120	2120	2120
Height - mm	2497	2497	2497	2497	2497
Weight (net) - kg	4810	4810	4810	5010	5010
Weight (working) - kg	5210	5210	5210	5410	5410
Dimensions (on shipping support)					
Overall length - mm	4408	4408	4408	4408	4408
Overall width - mm	2120	2120	2120	2120	2120
Height - mm	2504	2504	2504	2504	2504
Weight (net) - kg	4710	4710	4710	4910	4910
Weight (working) - kg	5110	5110	5110	5310	5310
Air outlet BSPT					
	1 x 2"	1 x 2"	1 x 2"	1 x 2"	1 x 2"
	2 x 1¼"	2 x 1¼"	2 x 1¼"	2 x 1¼"	2 x 1¼"

All the right features



Standard features

- Forklift pockets with removable covers
- Bunded base and central drains

Easy access

Access to all service areas, new full colour digital display interactive control panel and air filters is convenient and easy.



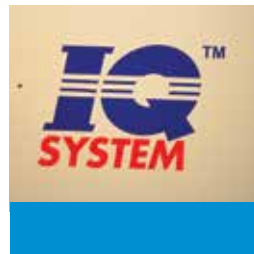
Easy maintenance

Wide opening rear canopy which, together with the removable panel, provides access to the radiator from either side for cleaning



Running gear

The unit comes as standard on a wagon wheel style running gear. Depending on customer requirements, available as options are the "fast tow braked wagon wheel running gear" which allows the unit to be towed on public roads as well as the "no wheels" chassis (permanent mount).



Modular design and flexibility

Highly modular design allows optional equipment to be added easily. The wide range of options available allow the machines to be adapted to the specific application, such as fitting of an aftercooler with water separator and additional filters (IQ-system), to a personal paint scheme in the customer's livery.



Other standard features

Multiple air outlets and tie-down points.

Air compressors from Doosan Infracore Portable Power are not designed, intended or approved for breathing air. Compressed air should not be used for breathing air applications under any circumstances.

The Portable Air Compressors journey at Doosan starts here

Peace of mind

All Doosan compressor products offer a 1 year or 2000 hours warranty. The airend carries a standard 2 years or 4000 hours warranty. Conditional on the continued use of genuine parts, fluids and filters and the machine being serviced at the correct specified intervals by an authorized Doosan Portable Power distributor, the airend warranty can be extended to 5 years or 10000 hours. This warranty option enhances the resale value through the ability to transfer the warranty from one owner to the next. Some engines can also be included in the 5 year coverage.



Aftermarket solutions

- Dealer stocking programme for frequently-used parts
- Express availability for other parts
- Supporting you and your dealer with troubleshooting expertise on difficult service problems

Financial solutions

Financing and leasing options tailored to meet your individual business needs. Our streamlined loan application and credit approval process can quickly make your business plans a reality.



With Doosan Portable Power, you are not just buying a piece of equipment. You are investing in the strength and expertise of Doosan Portable Power and its people. From engineers and factory technicians, to field representatives and your dealer, we support your purchase. We are committed to helping you realise maximum value job after job, day after day. Wherever you see a piece of Doosan Portable Power equipment, you'll know that all of the Doosan Portable Power team is behind it.

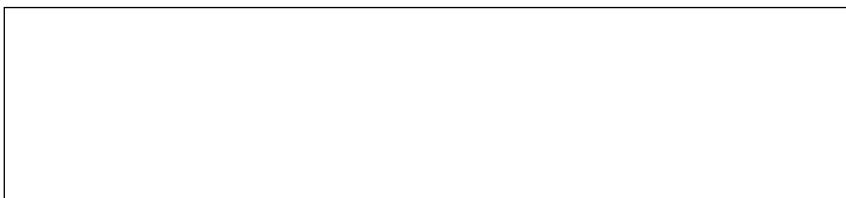
Our industry-leading support system will help to keep your Doosan Portable Power equipment up and running for as long as you own it. Doosan Portable Power is committed to supporting each product throughout its life. We are committed to offering you an invaluable source of product information, financial service, training, technical service bulletins, service, parts and more...

www.doosanportablepower.eu

More than generators



Specifications and design are subject to change without notice. Pictures of Doosan Portable Power products may show other than standard equipment.



Portable Power

